

1925 Maxlok

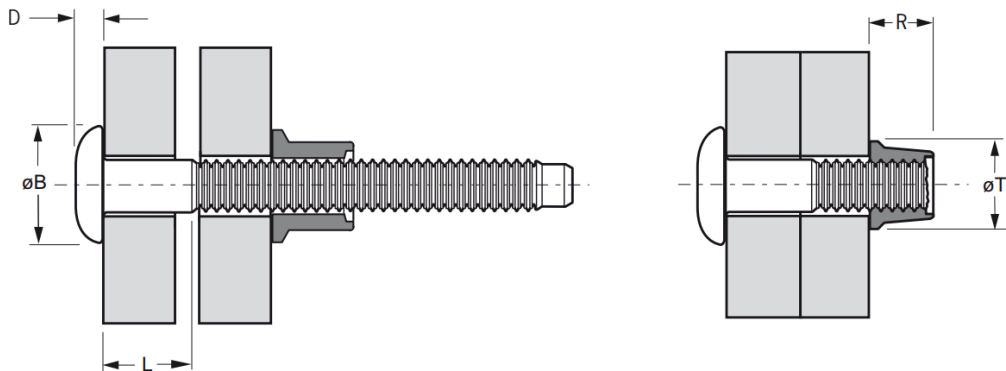
Aluminium - Truss head
4.8 mm (3/16") - 6.4 mm (1/4")

Features

- Multi grip capability reduces inventory, simplifies stock control, and accommodates wide variations in material thickness
- High shear strength for high strength assembly
- High, controlled clamp provides excellent vibration resistance
- Quick to install across a wide range of applications
- Easy to inspect tampering
- High security tamper resistance - TIR approved

Material

- Pin: Aluminium alloy, polished (BS 1473 7075, DIN 1725, AlZnMgCu1.5, Werkstoff 3.4365)
- Collar: Aluminium alloy, natural (BS 1473 6061, DIN 1725, AlMg1SiCu, Werkstoff 3.3211)



Part No. Pin	Part No. Collar	Size ø	Grip Range		Hole Size	øB max.	D max.	L ref.	R max.	øT max.	Shear (typical)	Tension (typical)
			min.	max.							kN	kN
01925-00610	01985-00600	4.8 (3/16")	1.6	15.9	5.16	12.0	2.8	2.3	7.9	9.9	4.23	5.78
01925-00620			7.9	31.7				8.4				
01925-00810	01985-00800	6.4 (1/4")	1.6	15.9	6.75	15.1	3.1	2.2	11.1	13.1	7.45	9.79
01925-00820			7.9	31.7				9.1				

Assembly Applications

- Commercial vehicles
- Heating and ventilation
- Frame building

